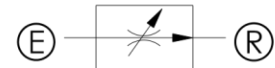
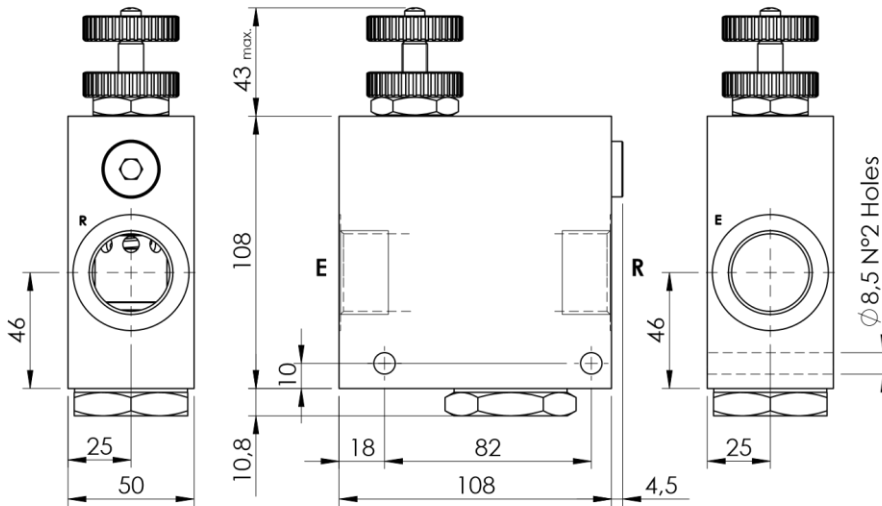
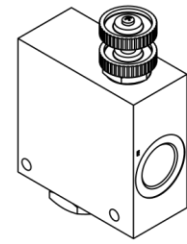


**FLOW REGULATOR**

**MFST-190-RVTR**

**2 WAYS COMPENSATED**



**SPECIFICATIONS**

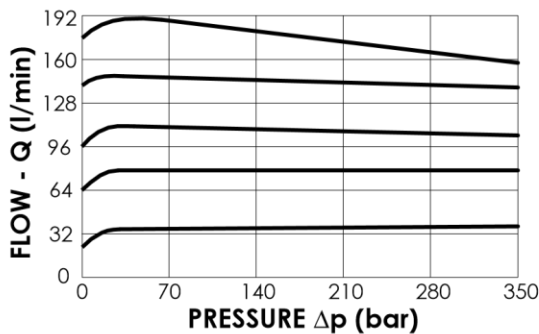
Max. operating pressure:	210/350 bar
Rated flow:	190 l/min
Manifold:	Aluminium/Steel
Weight:	1,8/4,0 kg

**ADJUSTMENT OPTIONS**



**NOTES**

Regulation: STANDARD



**ORDERING CODES**

Quick code	Description	Main ports size	Manifold	Max. Pressure (Bar)	Max. inlet flow (l/min)	Adjustment options
	MFST-190-RVTR-19-G10-N210	E,R: G 1"	Aluminium	210	190	Handknob and locknut
	MFST-190-RHTR-19-G10-N210	E,R: G 1"	Aluminium	210	190	Screw and locknut
	MFST-190-RMTR-19-G10-N210	E,R: G 1"	Aluminium	210	190	Graduated handknob
	MFST-190-RVSR-19-G10-N350	E,R: G 1"	Steel	350	190	Handknob and locknut
	MFST-190-RHSR-19-G10-N350	E,R: G 1"	Steel	350	190	Screw and locknut
	MFST-190-RMSR-19-G10-N350	E,R: G 1"	Steel	350	190	Graduated handknob