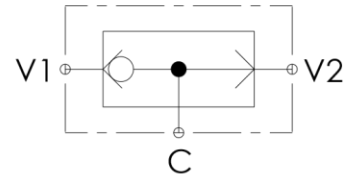
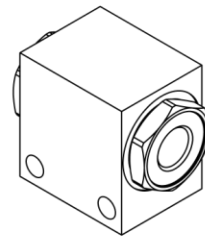
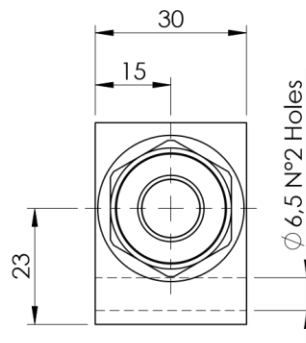
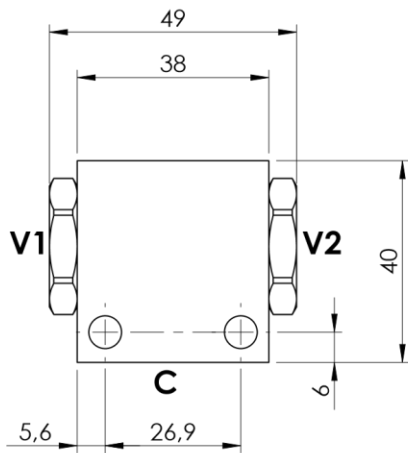
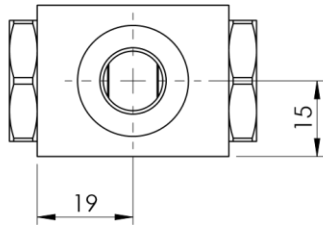


SHUTTLE VALVE

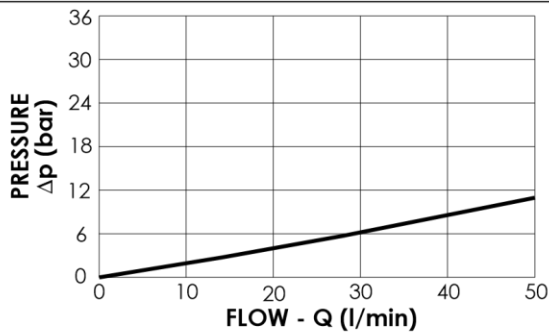
**MDSN-050-SSNR**

IN LINE TYPE



**SPECIFICATIONS**

Max. operating pressure:	350 bar
Rated flow:	50 l/min
Manifold:	Aluminium
Weight:	0,16 kg



**ORDERING CODES**

Quick code	Description	Main ports size	
	MDSN-050-SSNR-NP-G14-N350	G 1/4"	